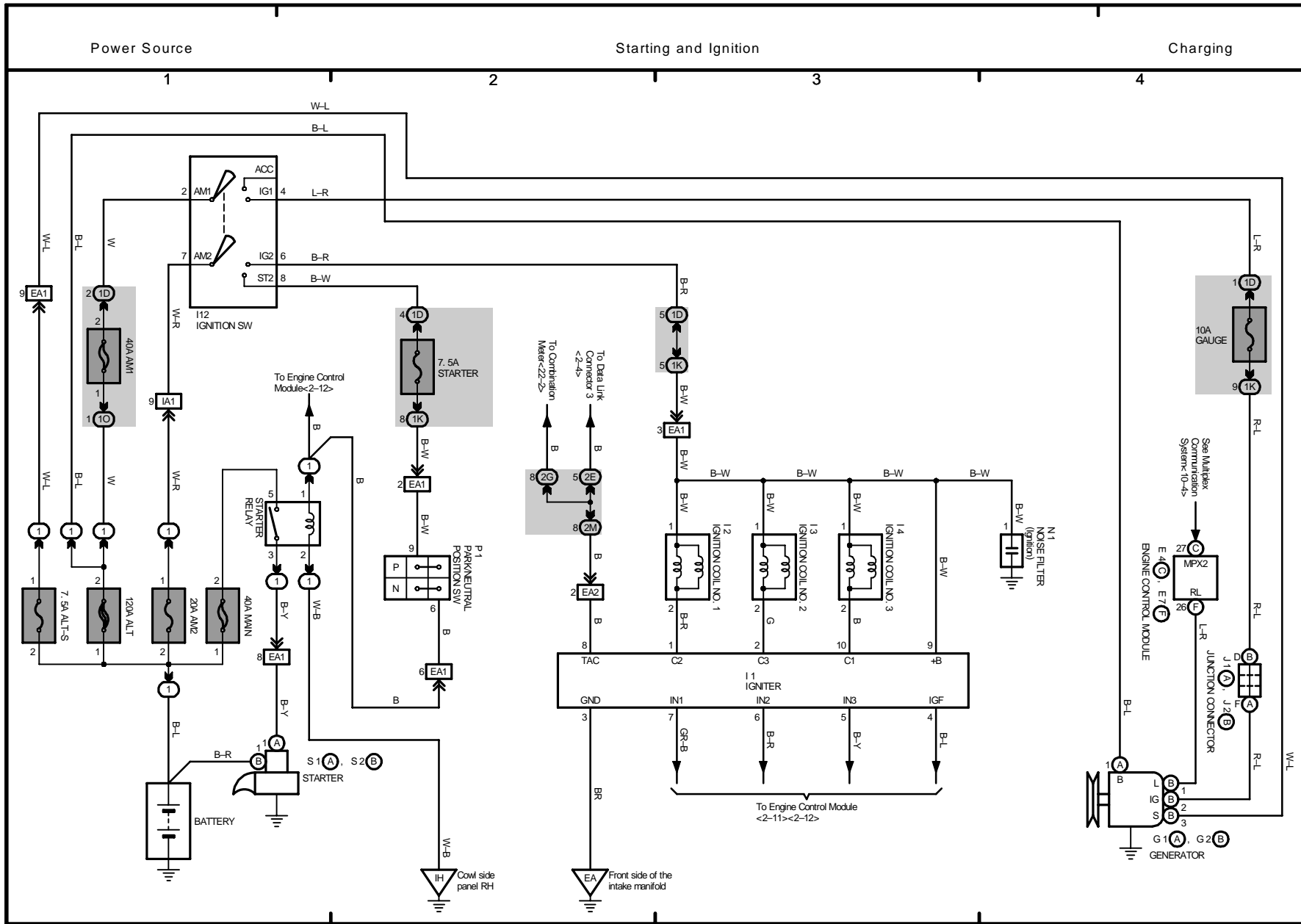


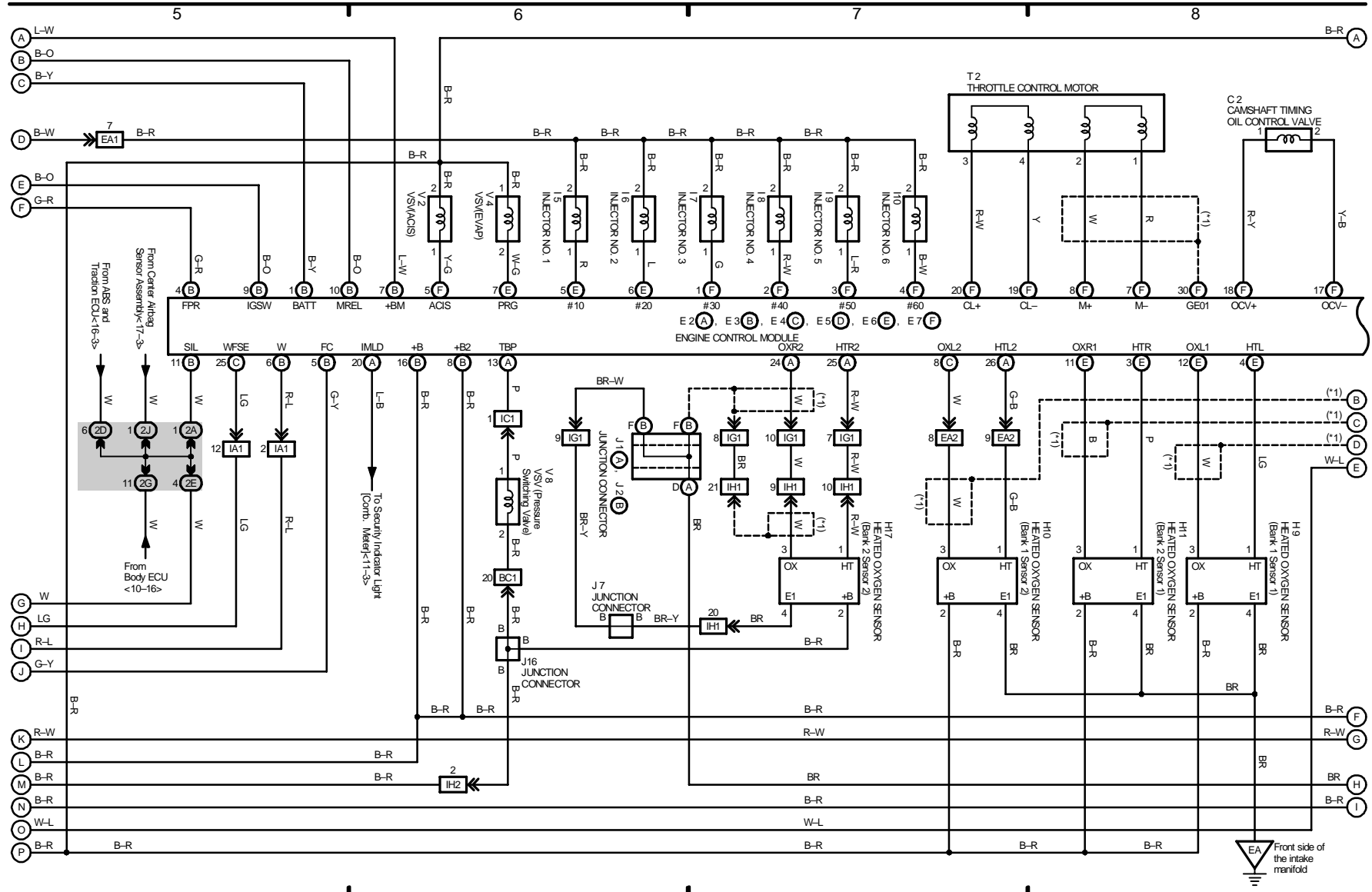
1 IS 300 ELECTRICAL WIRING DIAGRAM



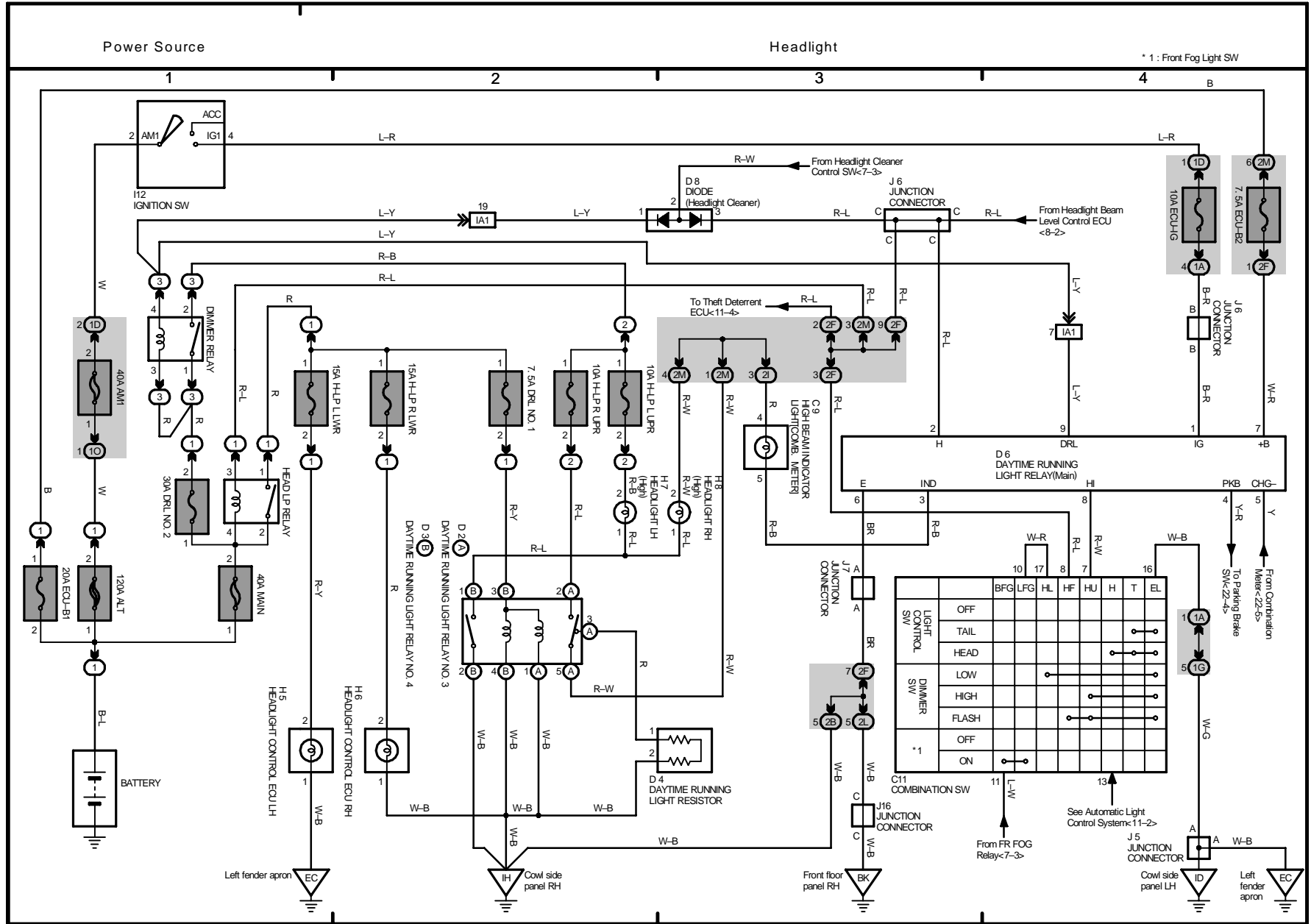
2001 LEXUS IS 300 (EWD413U)

Engine Control and Engine Immobiliser System

* 1 : Shielded

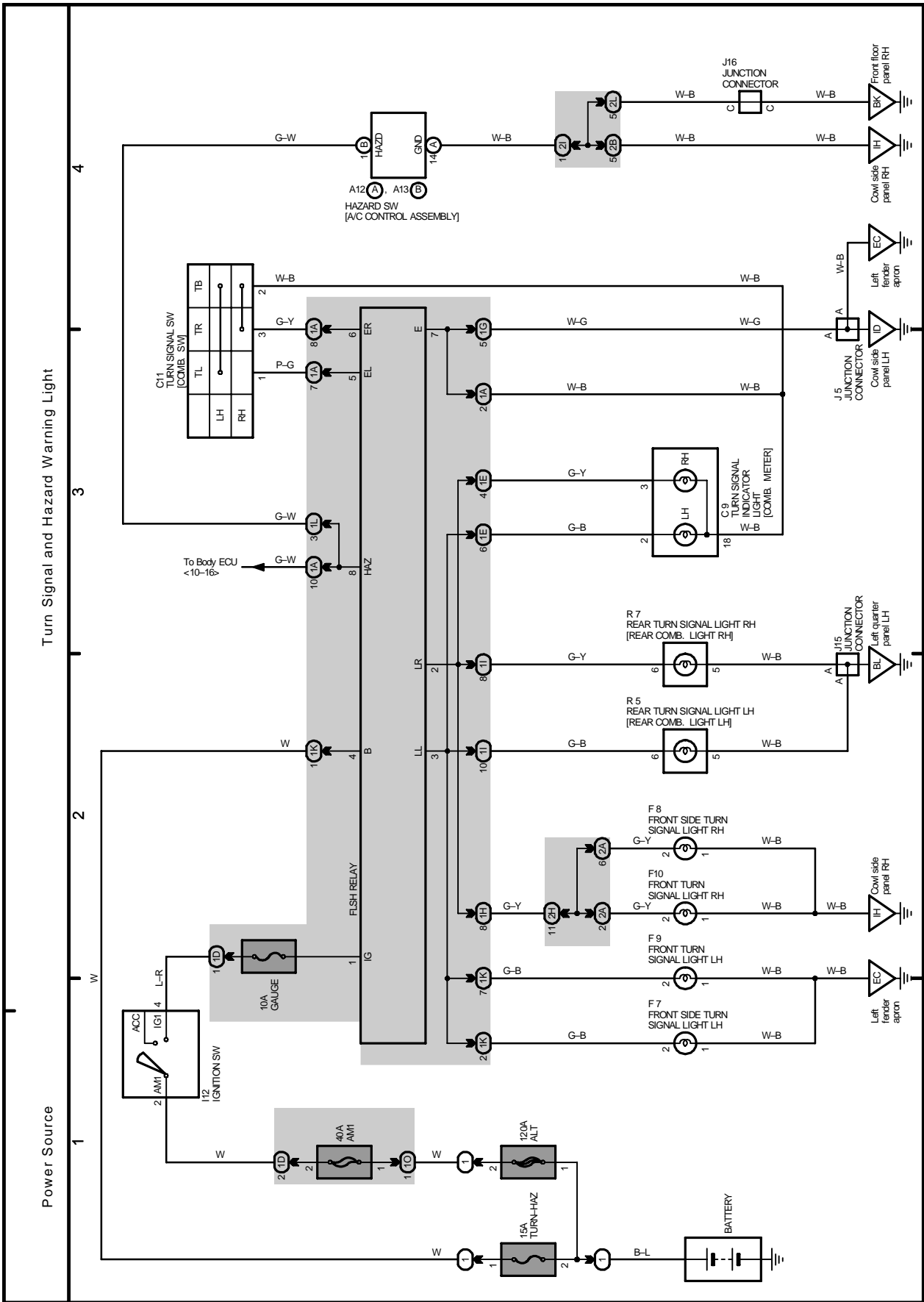


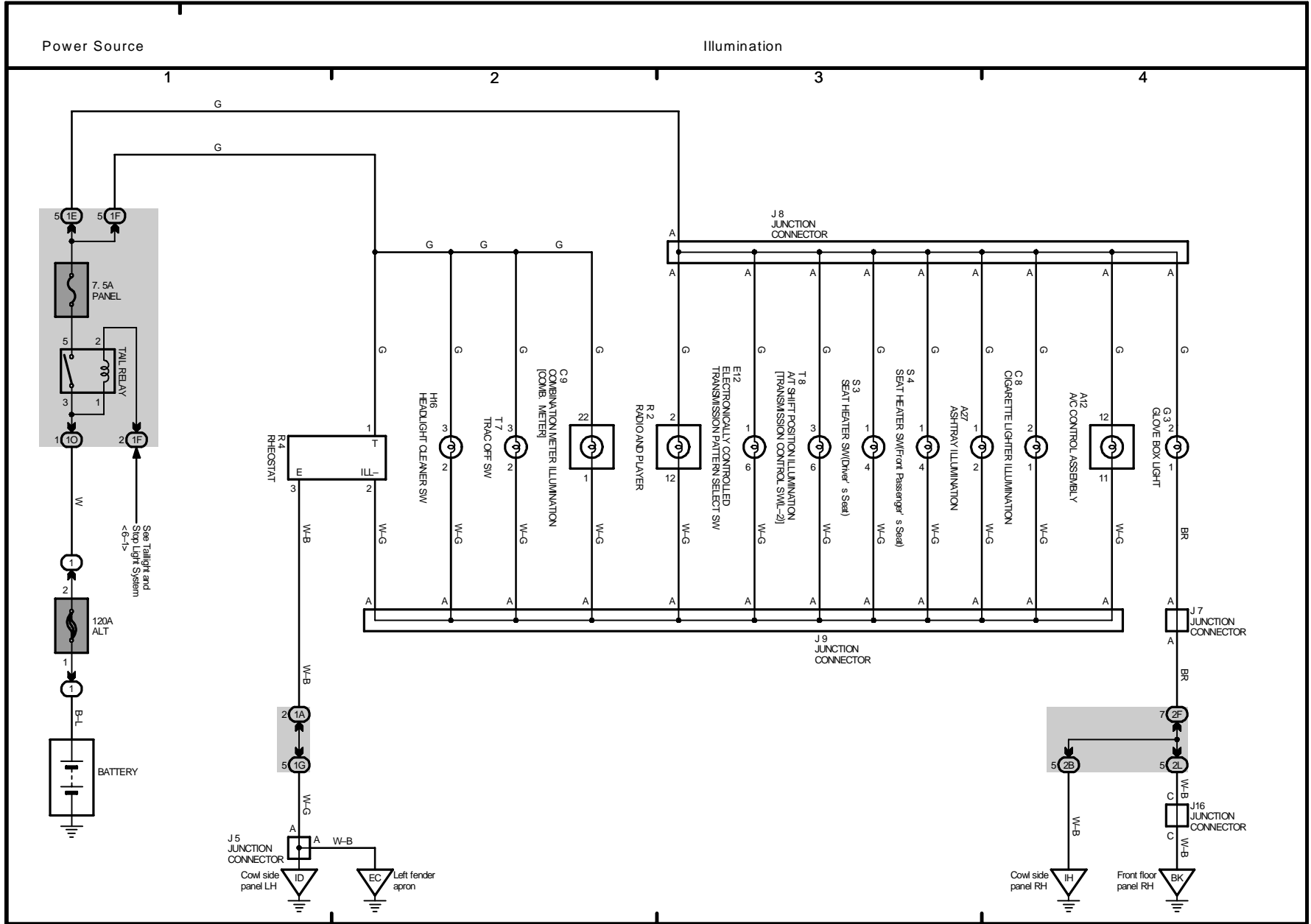
2001 LEXUS IS 300 (EWD413U)

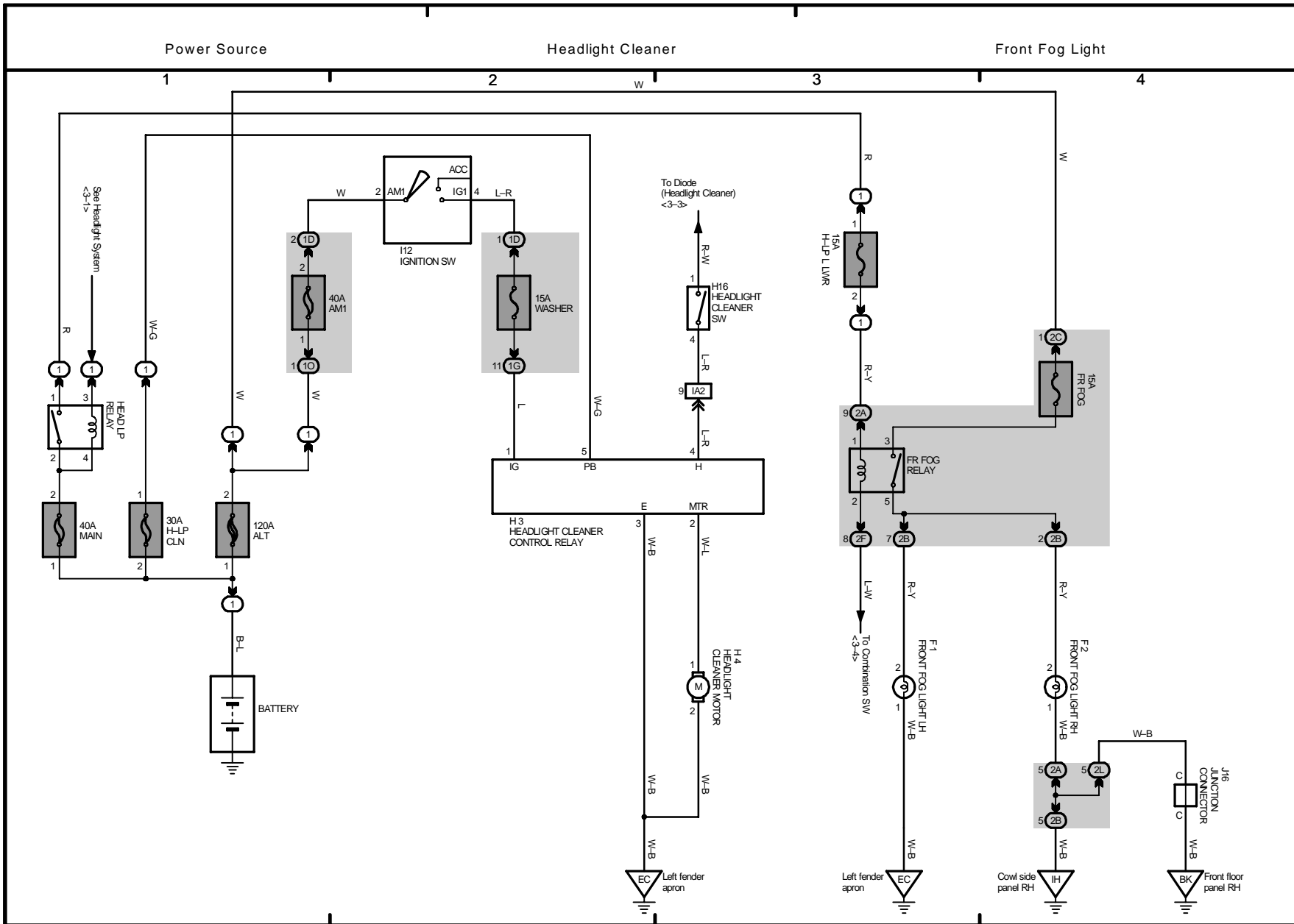


M OVERALL ELECTRICAL WIRING DIAGRAM

4 IS 300



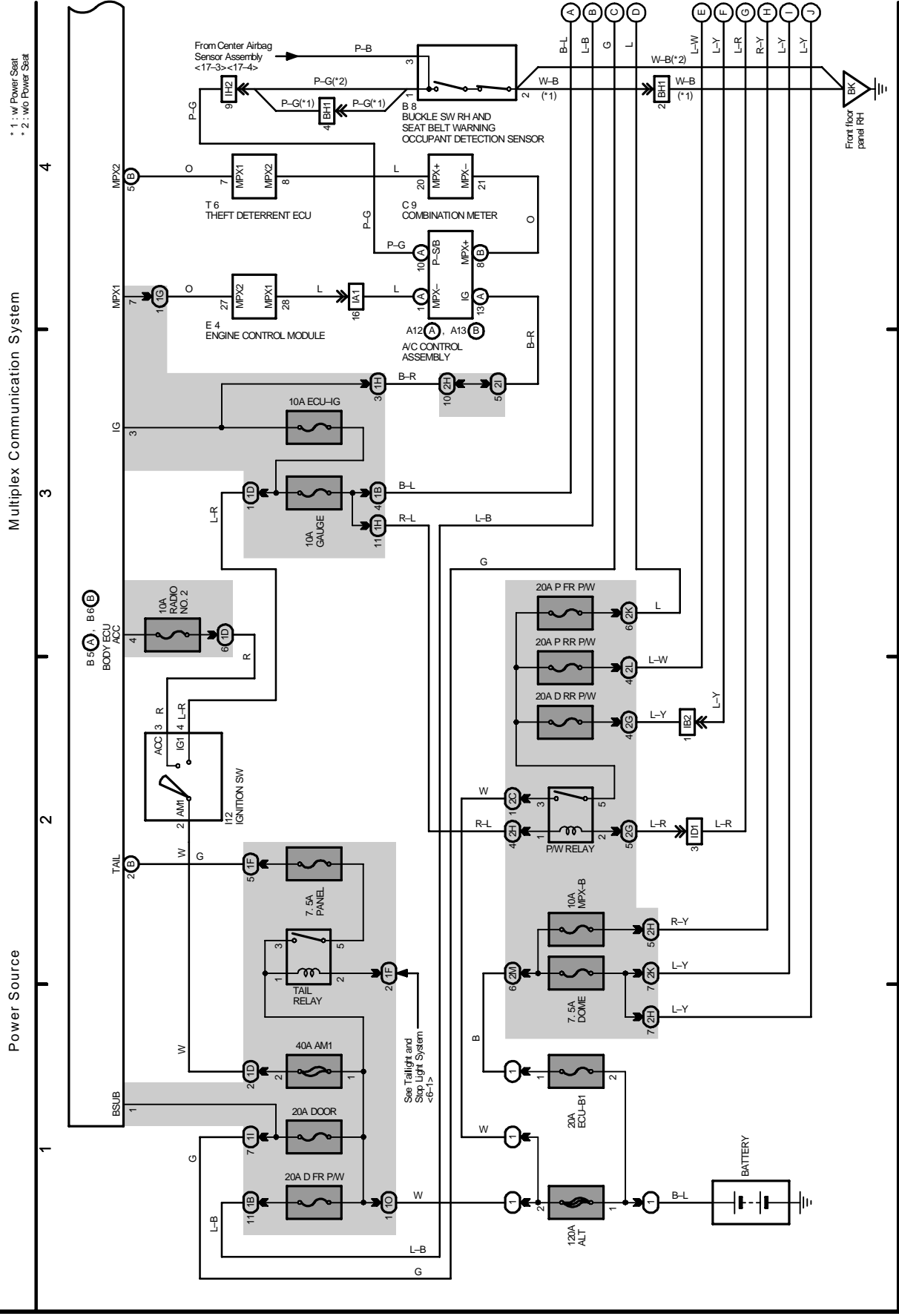




M OVERALL ELECTRICAL WIRING DIAGRAM

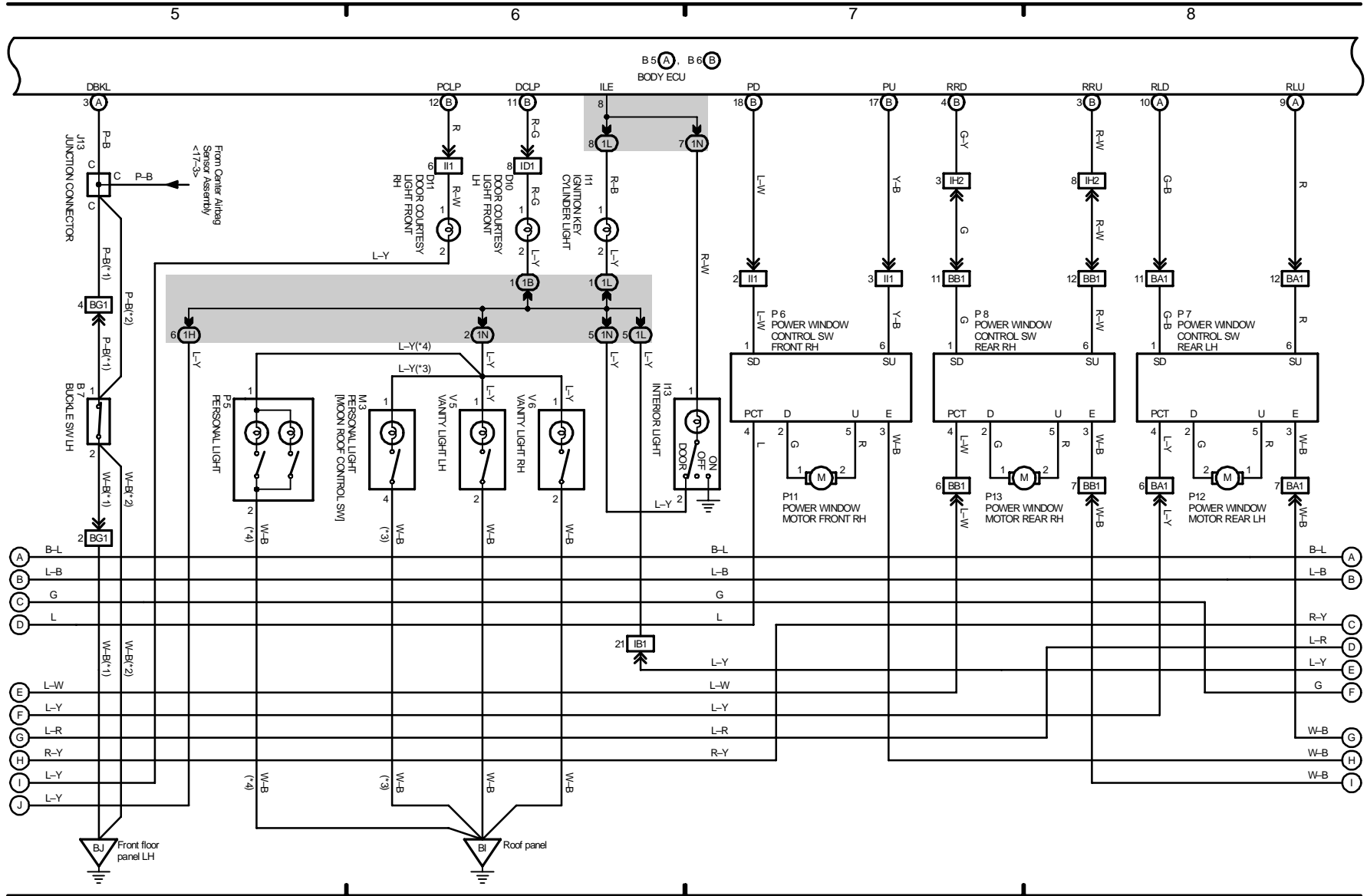
10 IS 300

(Cont. next page)



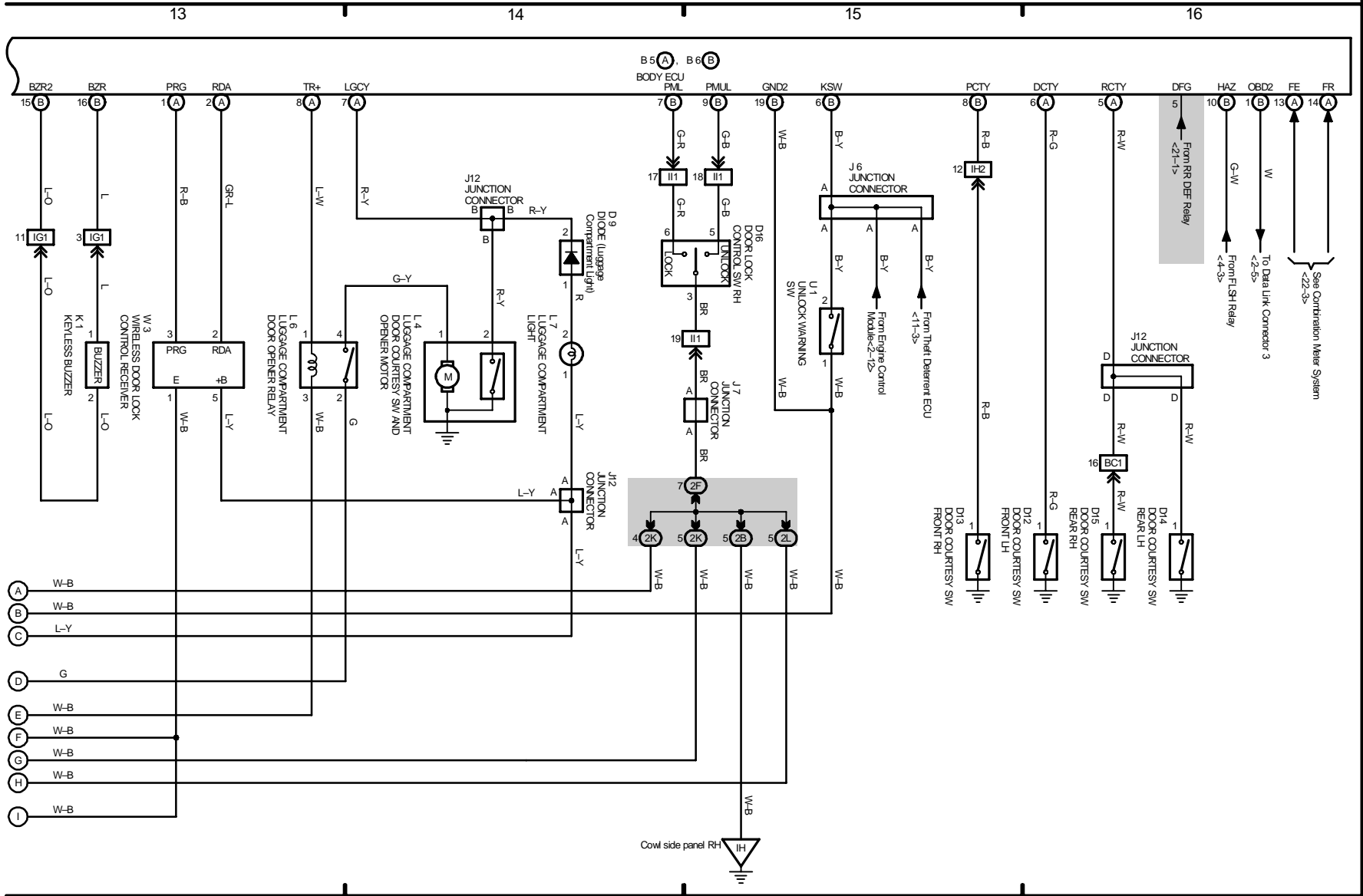
Multiplex Communication System

- * 1 : w/ Power Seat
- * 2 : w/o Power Seat
- * 3 : w/ Moon Roof
- * 4 : w/o Moon Roof



2001 LEXUS IS 300 (EWD413U)

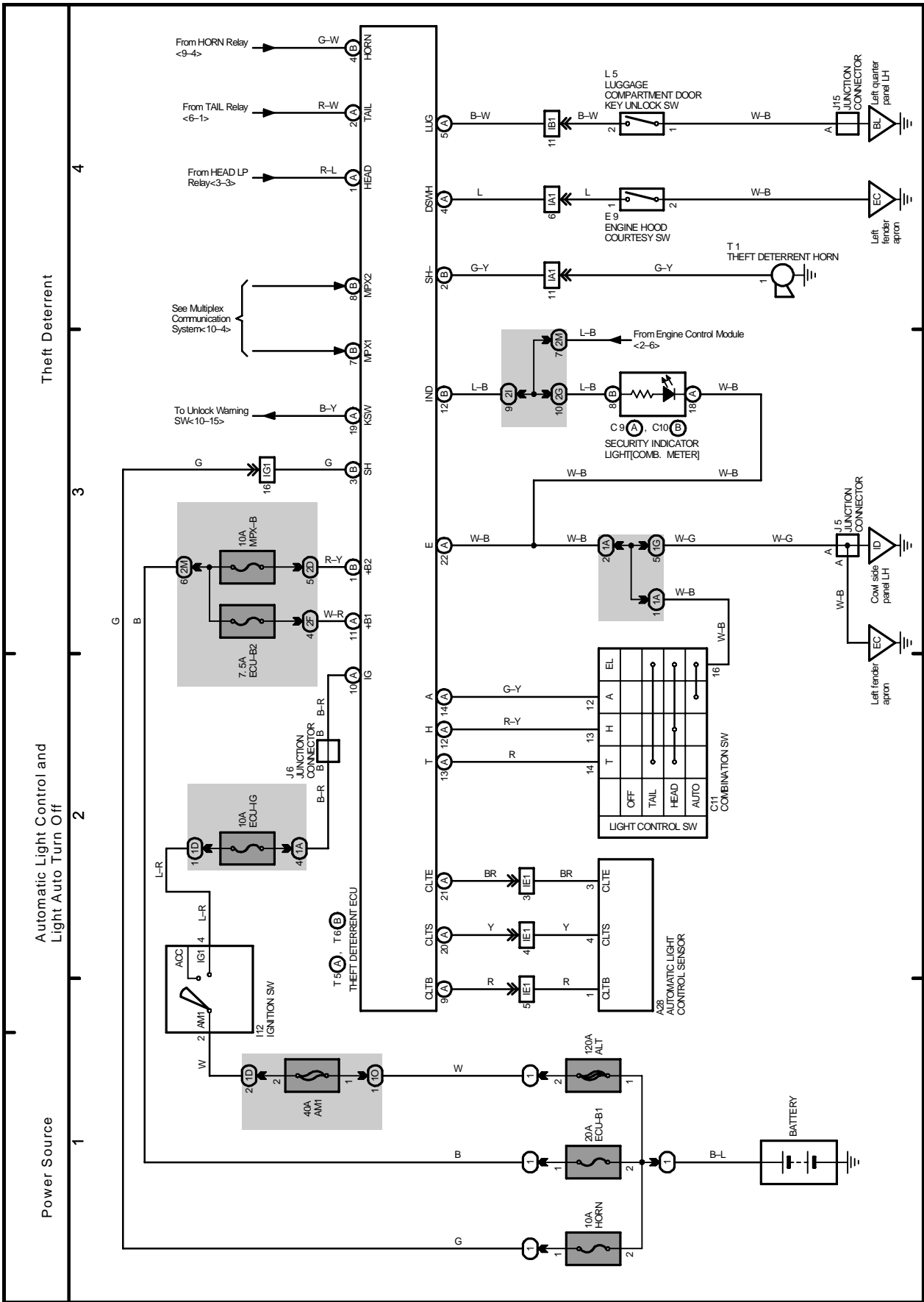
Multiplex Communication System

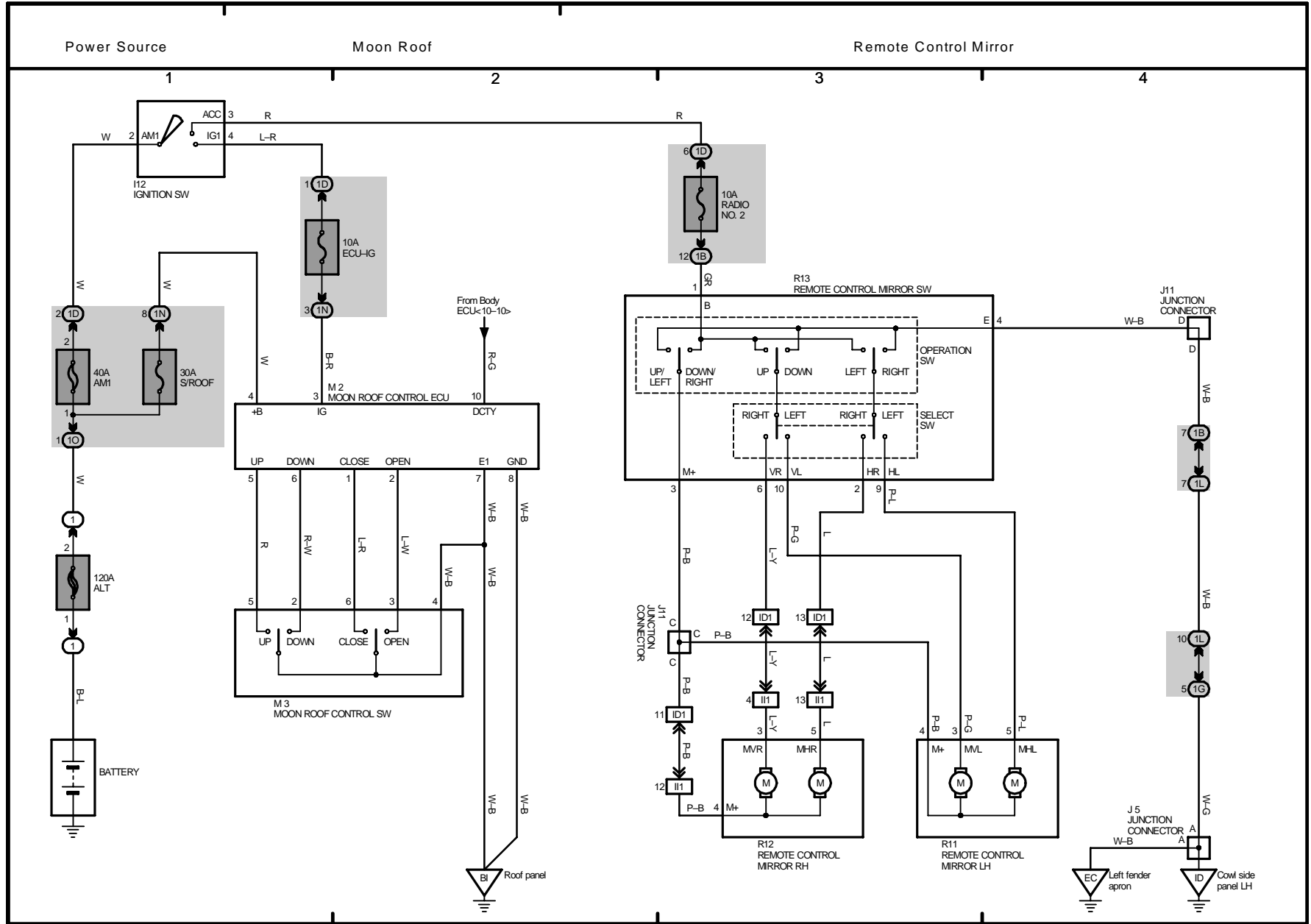


2001 LEXUS IS 300 (EWD413U)

M OVERALL ELECTRICAL WIRING DIAGRAM

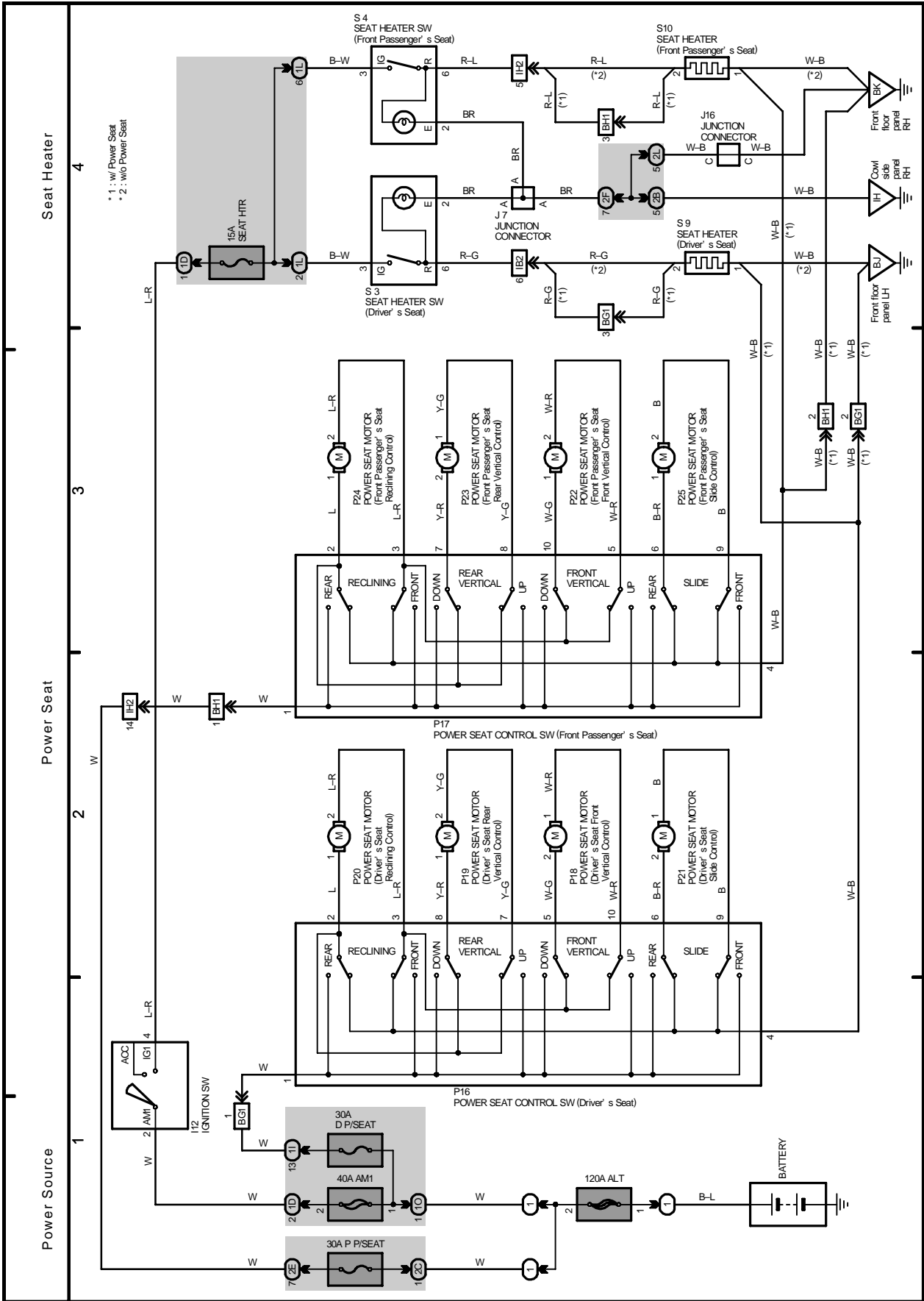
11 IS 300





M OVERALL ELECTRICAL WIRING DIAGRAM

13 IS 300

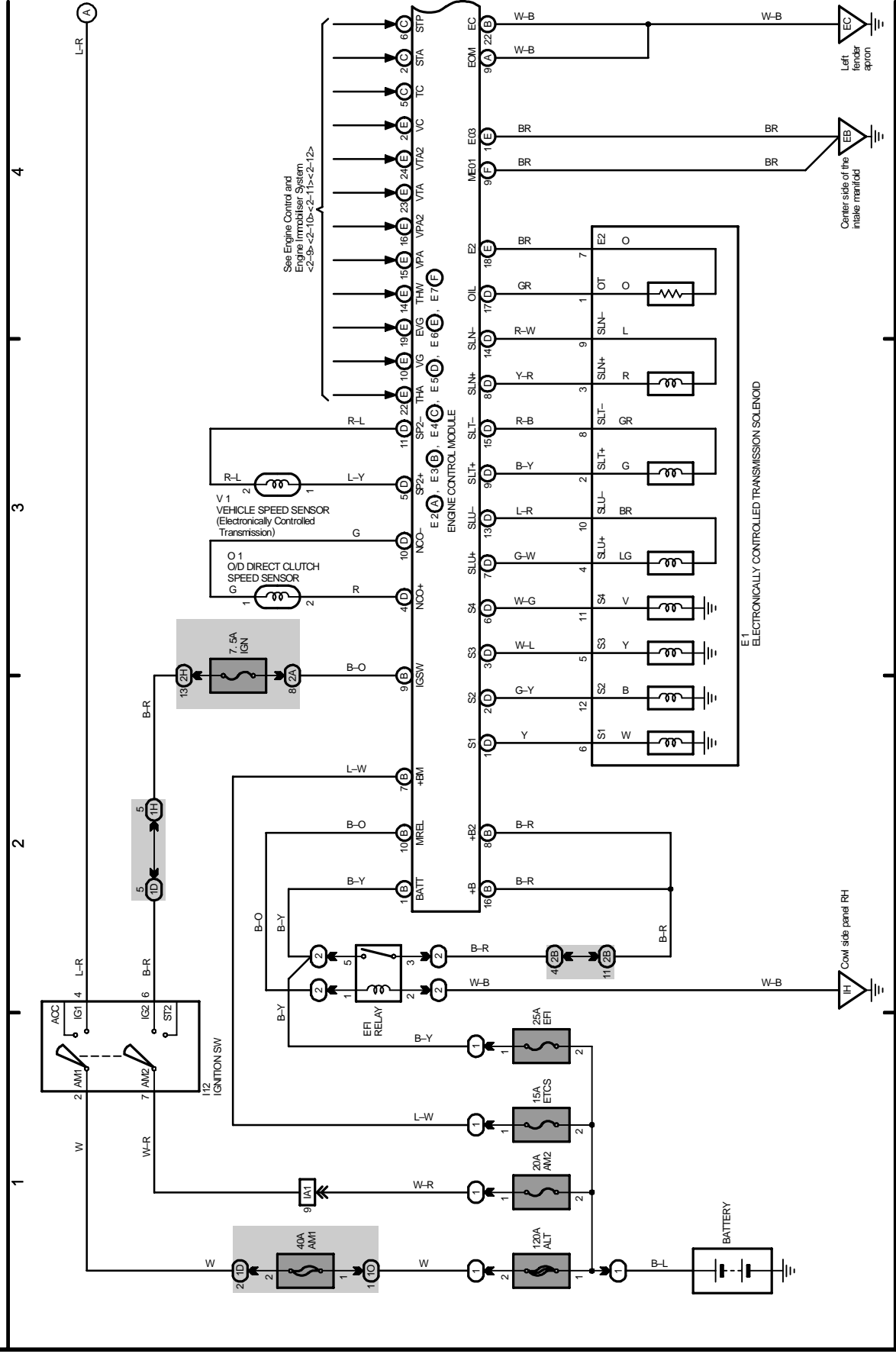


M OVERALL ELECTRICAL WIRING DIAGRAM

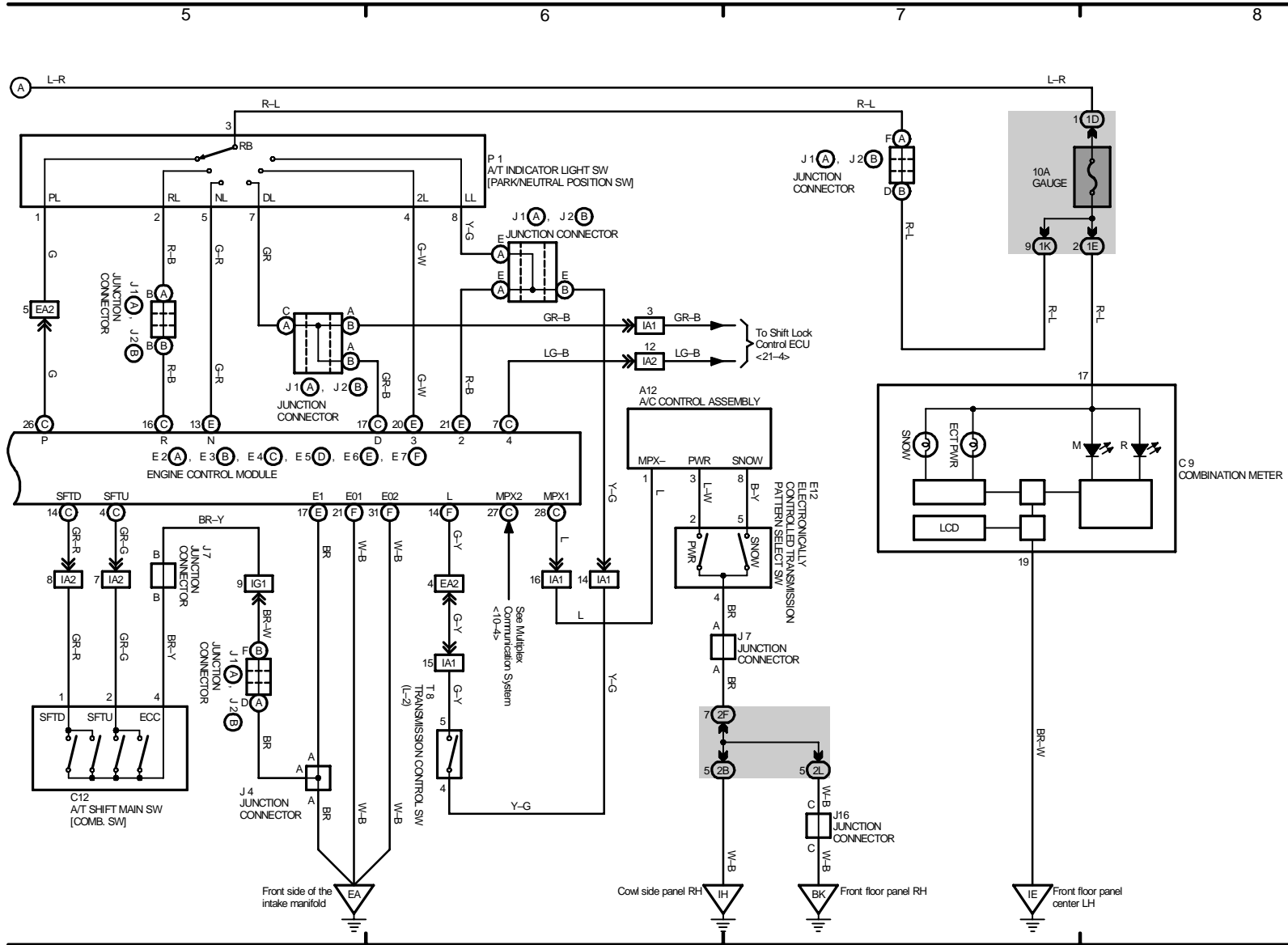
14 IS 300

(Cont. next page)

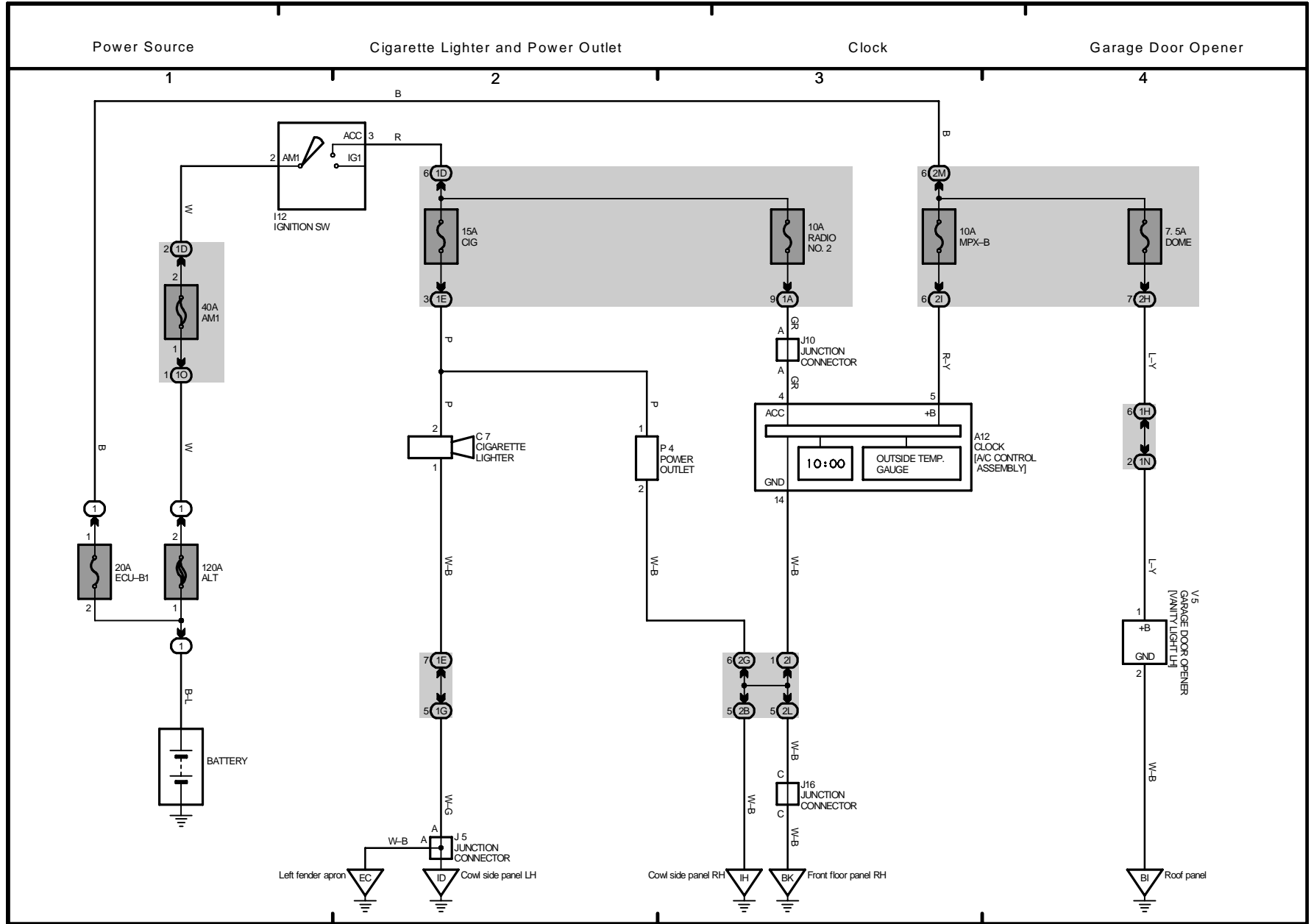
Electronically Controlled Transmission and A/T Indicator



Electronically Controlled Transmission and A/T Indicator

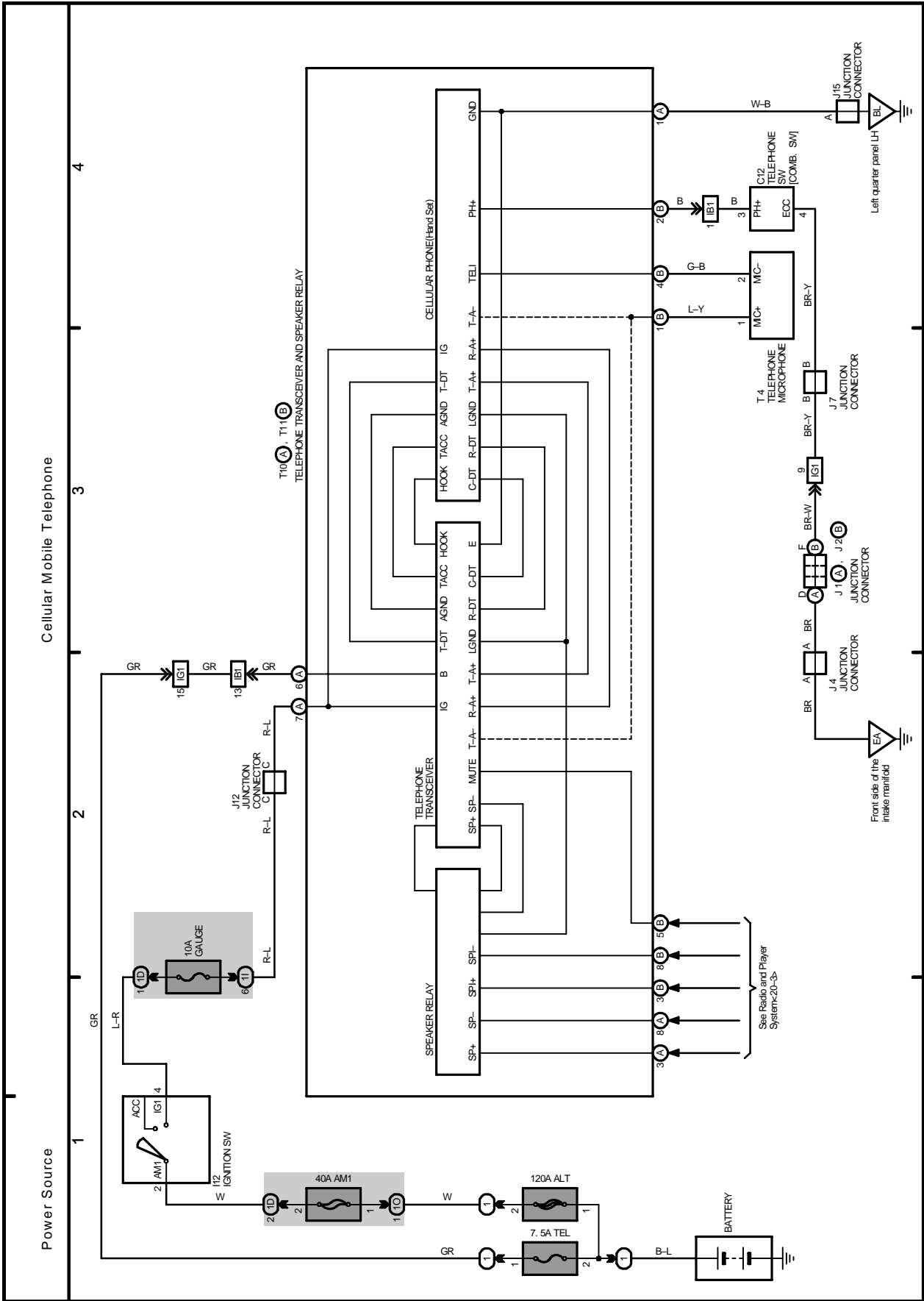


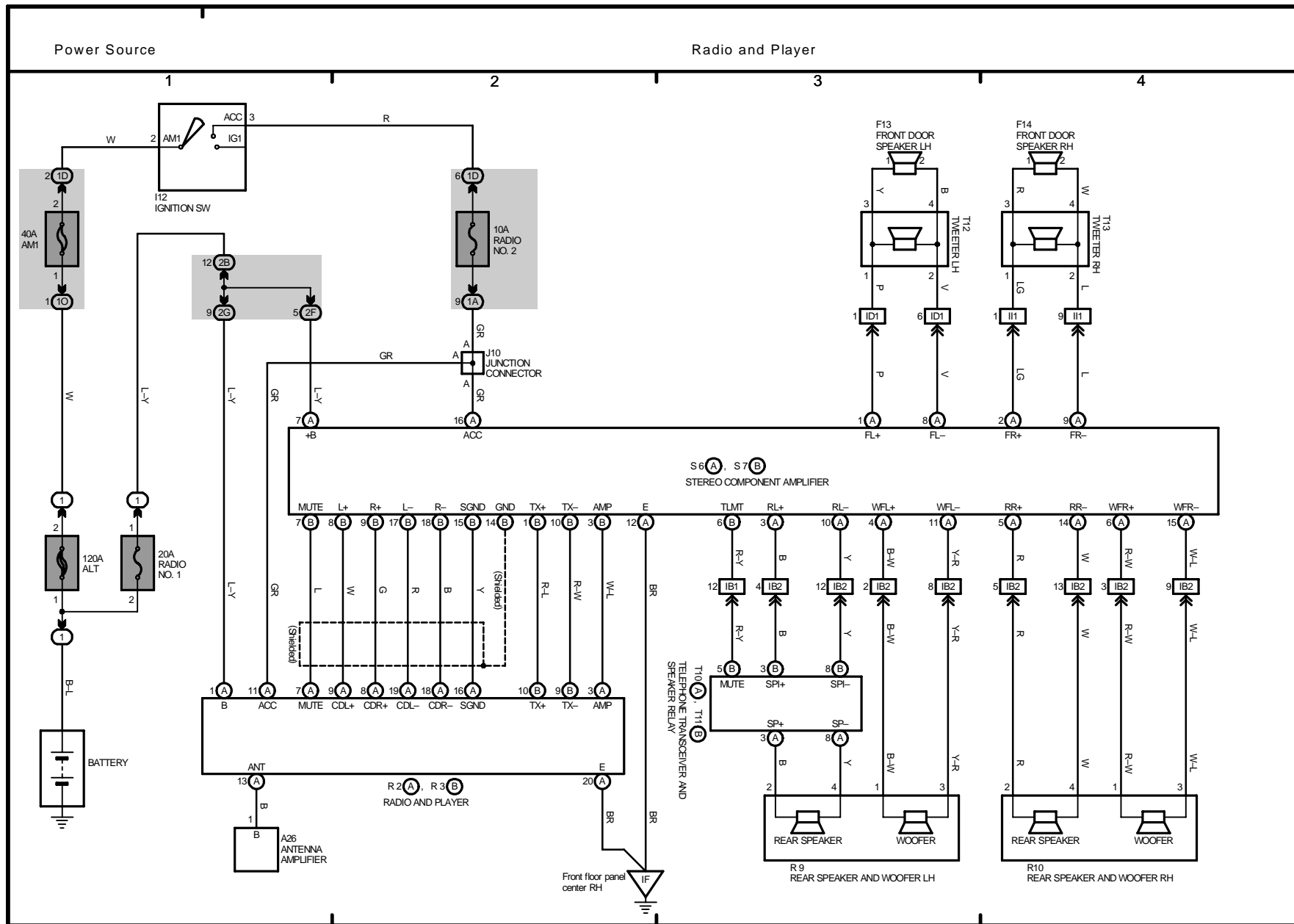
2001 LEXUS IS 300 (EWD413U)



M OVERALL ELECTRICAL WIRING DIAGRAM

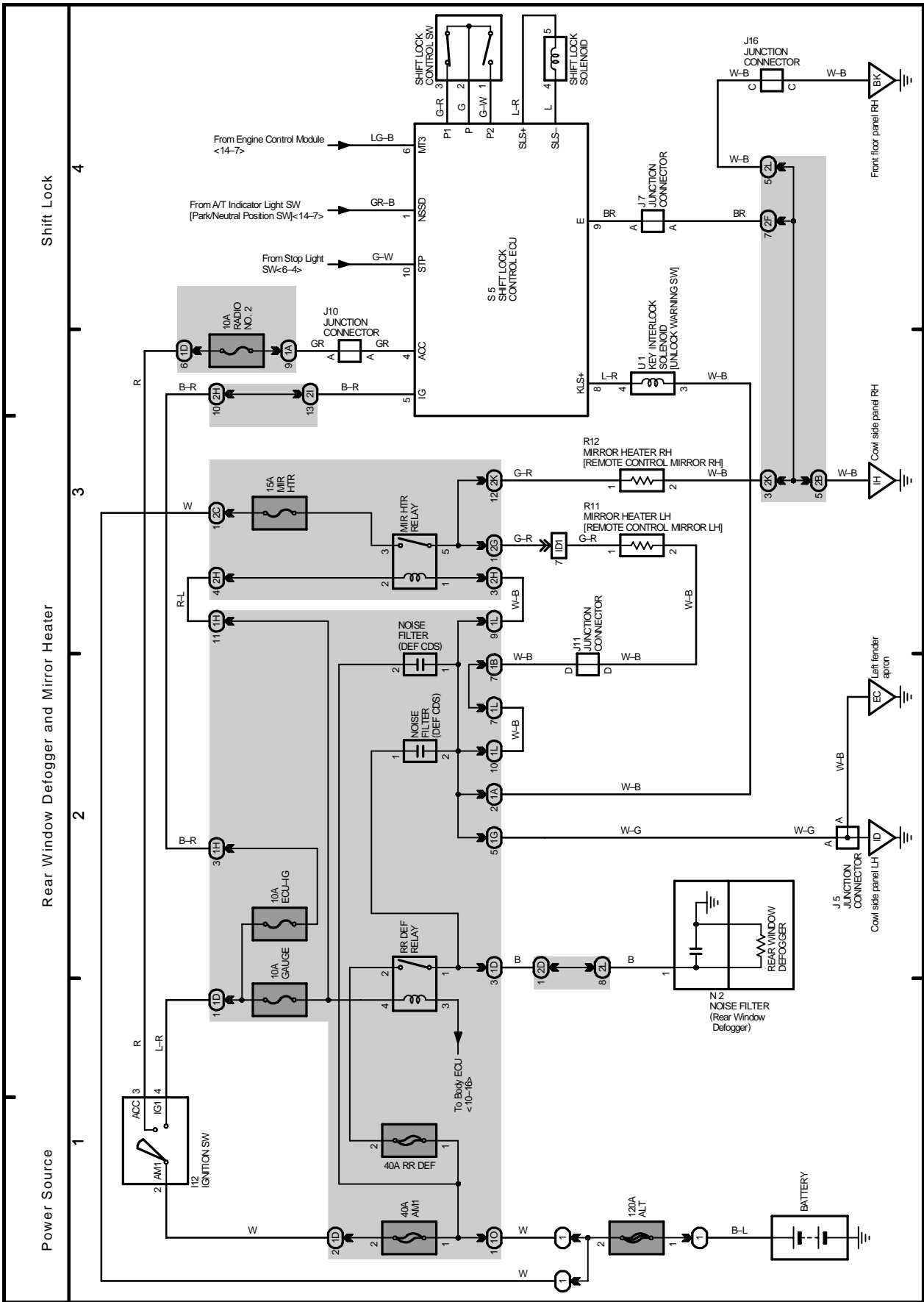
19 IS 300





M OVERALL ELECTRICAL WIRING DIAGRAM

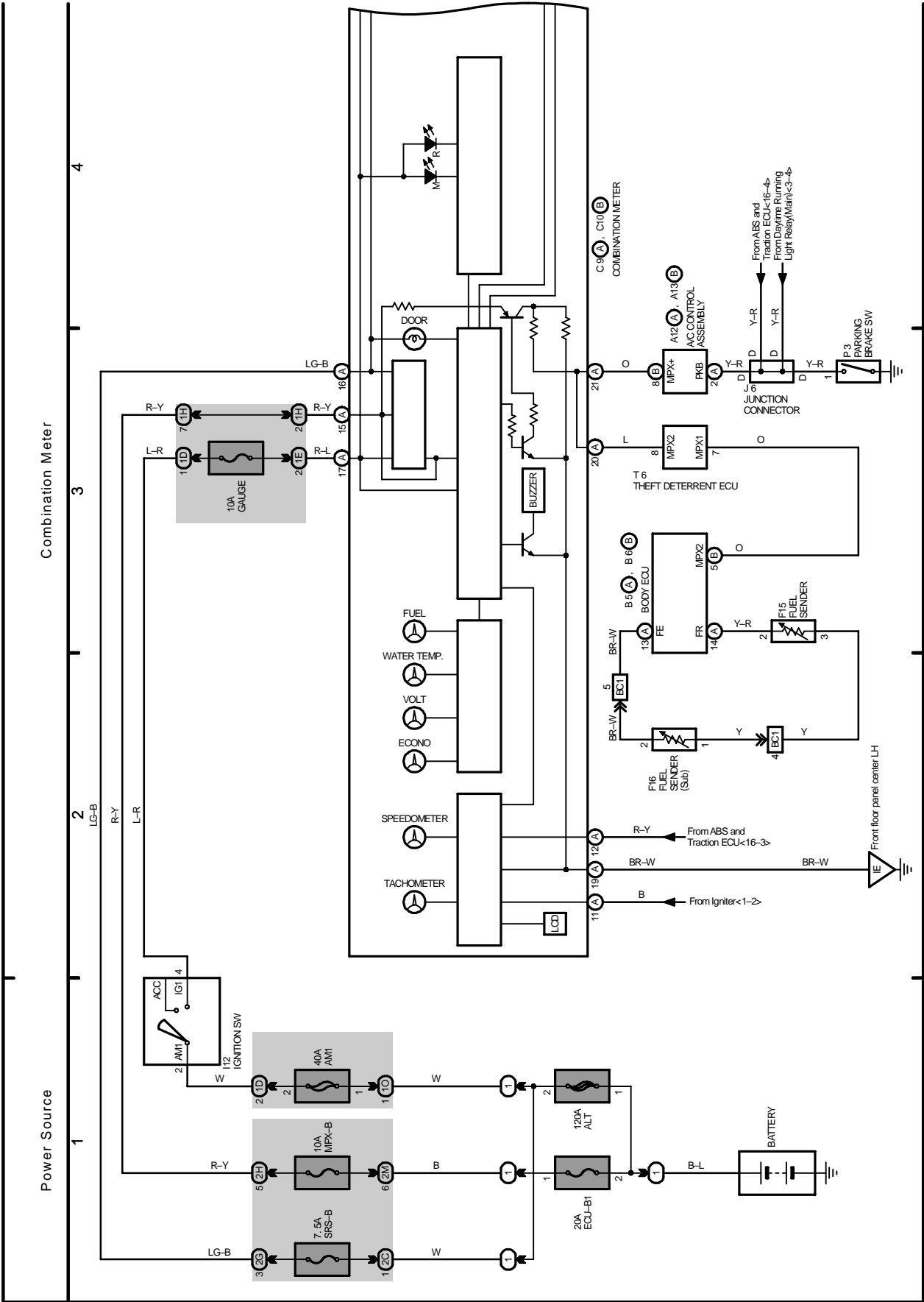
21 IS 300



M OVERALL ELECTRICAL WIRING DIAGRAM

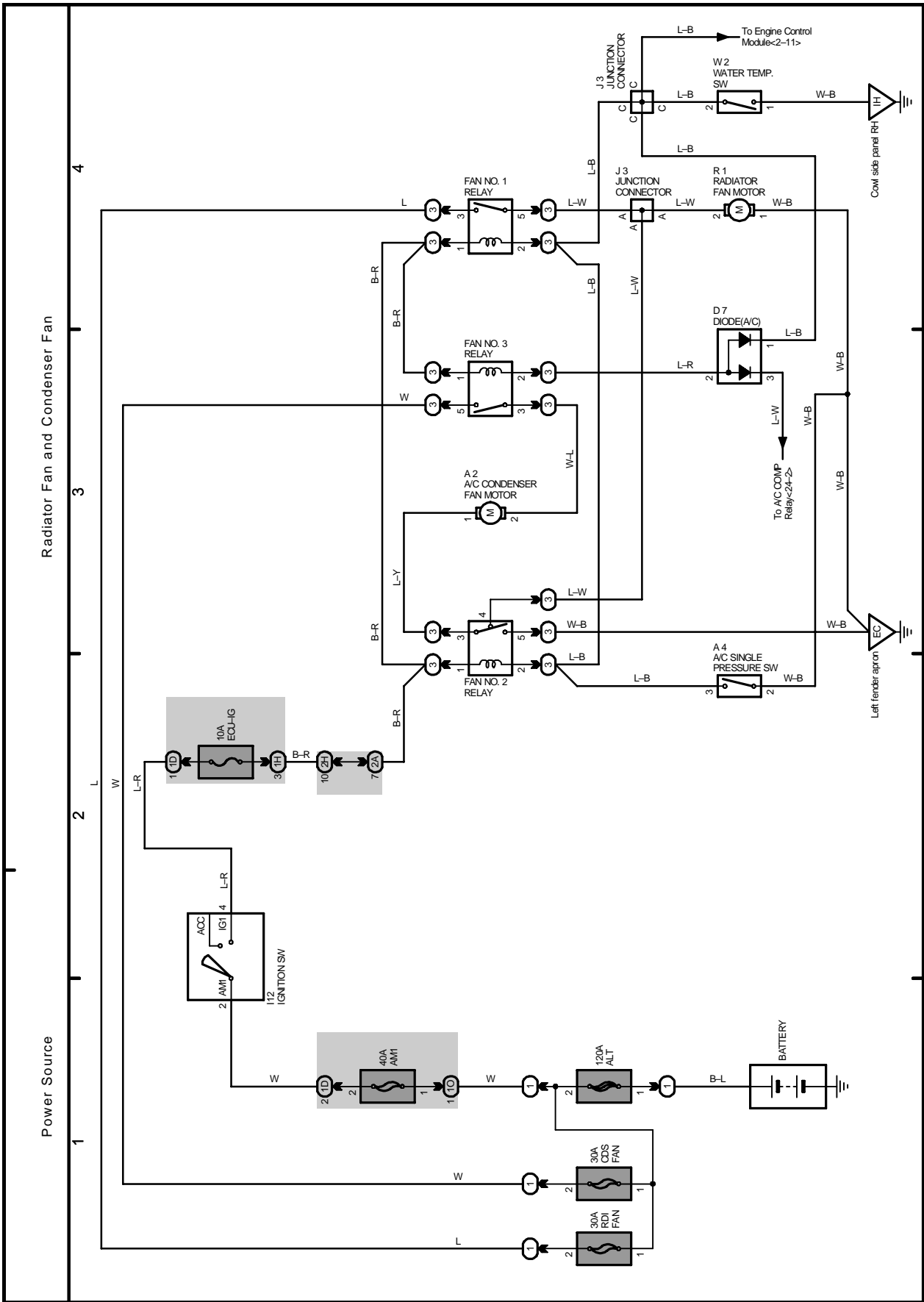
(Cont. next page)

22 IS 300



M OVERALL ELECTRICAL WIRING DIAGRAM

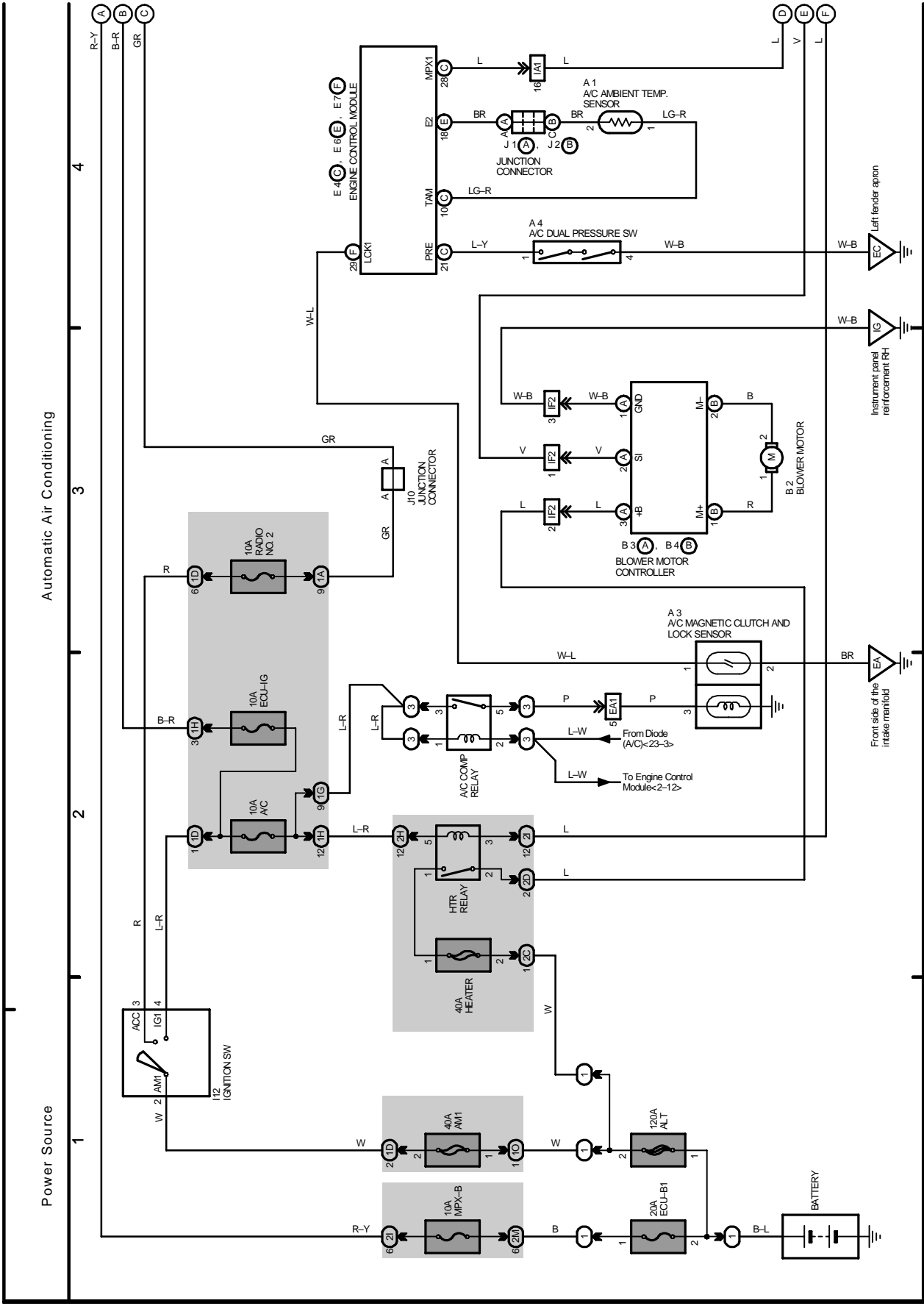
23 IS 300



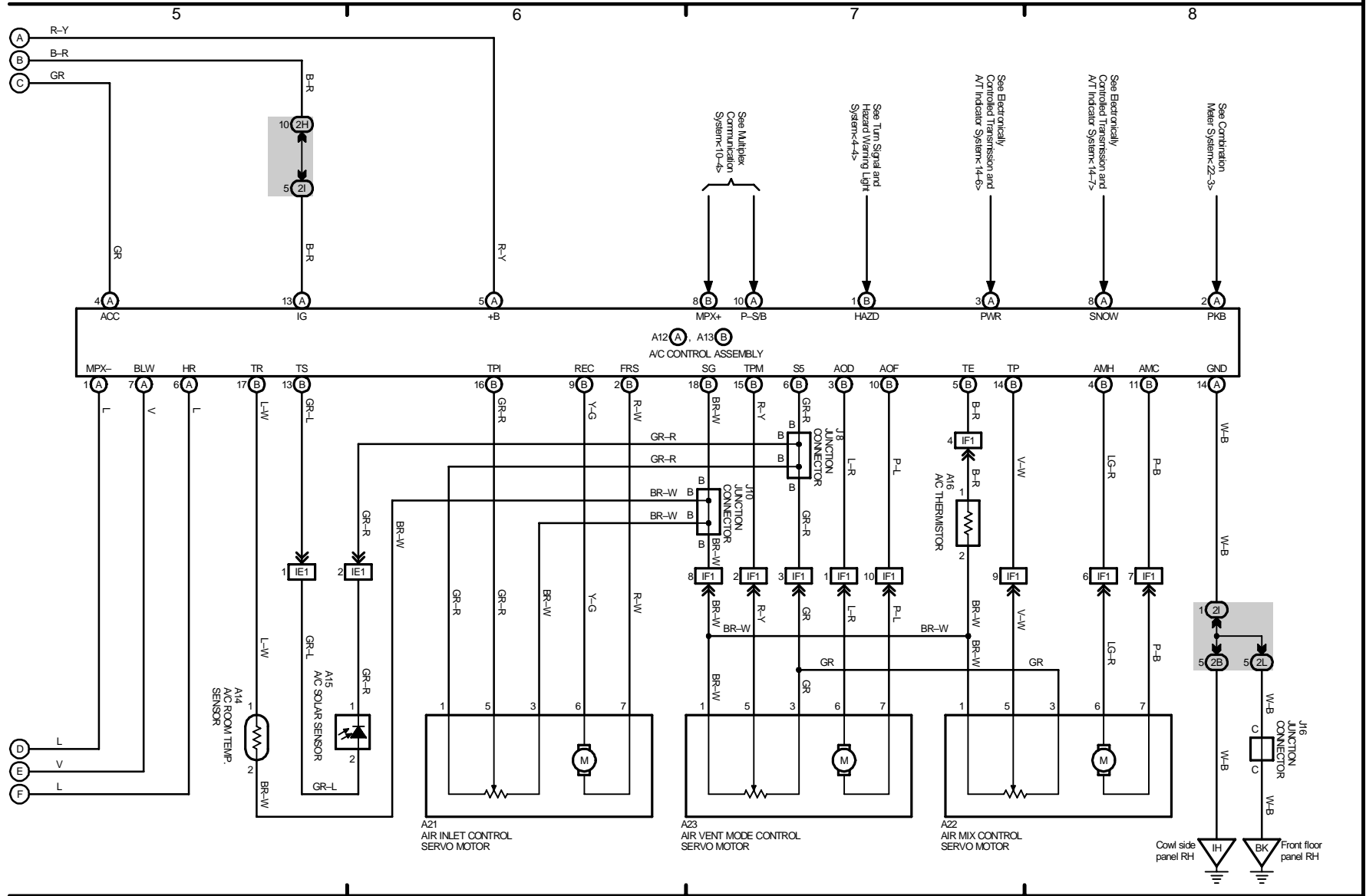
M OVERALL ELECTRICAL WIRING DIAGRAM

(Cont. next page)

24 IS 300



Automatic Air Conditioning



2001 LEXUS IS 300 (EWD413U)